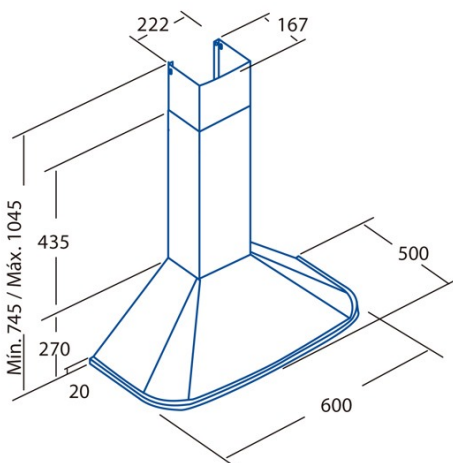




NEBLIA 600 X

Cod. **02052300**

EAN **8422248017602**



INFORMACIÓN GENERAL

EAN/UPC	8422248017602
Subfamily	Chimney

External Dimensions

Width (mm)	900
Depth (mm)	560
Maximum Total Height (mm)	1140
Minimum Total Height (mm)	720
Outlet Diameter (mm)	150, 125

Characteristics

Motor Quantity	1
Motor Model	TA
Maximum Pressure (Pa)	430
Free Outlet Airflow (m3/h)	1115
Filter Technology	Aluminium mesh
Control Technology	Mechanical push button
Booster	-
Power levels	3
Timer	-
Filter Saturation Indicator	-
Charcoal Filter Change Indicator	-
Dimmer Function	-
Connectivity	-
Remote control	-
Display	-

Lighting

Light Model	Halogen_E14
Lightning Technology	Halogen

Installation

Minimum distance to an electric cooktop (mm)	650
Minimum distance to a gas cooktop (mm)	650
Recirculation Option	√
Charcoal Filter	-
Back Draught Shutter	-
Inner shield	-

Electric Connection

Rated voltage (V)	220-240
Rated frequency (Hz)	50
Rated power input (W)	277
Protection against electric shock	Class II
Power cord length (m)	1,5
Plug type	Type C

Accessories

Upper Decorative Duct Extension	2885300
White Decorative Duct	No
Black Decorative Duct	No
Island Tube Enhancer	No
Back Draught Shutter	2832001
MAX PRO Metal Filter	2800917
Active Charcoal Filter	2859391
Noiseless Flexible Duct	2893002
Recirculating kit	No

