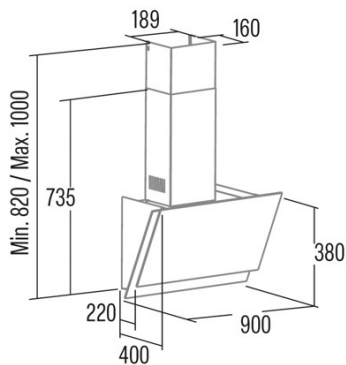




JUNO+ 9000 GBK 220-240V 50/60Hz

Cod. 02059701

EAN 8422248355643



INFORMACIÓN GENERAL

EAN/UPC	8422248355643
Subfamily	Angle Glass

Product fiche according to directives EU65/2014 - EN61591, EN60704-2-13, EN50564

AEC (Energy consumption per year) (kWh/año)	23,1
EEl class (Energy efficiency class)	A2plus
FDE (Fluid dynamic efficiency)	33,5
FDE class (Fluid dynamic efficiency class)	A
LE (Light efficiency) (lux/W)	22,6
LE class (Light efficiency class)	B
GFE (Grease filtering efficiency)	60,9
GFE Class (Grease filtering efficiency class)	C
Normal mode airflow MIN (m3/h)	170
Normal mode airflow MAX (m3/h)	385
Boost mode airflow (m3/h)	562
Normal mode acoustic power MIN (dB)	44
Normal mode acoustic power MAX (dB)	61
Boost mode acoustic power (dB)	69
Po (Off-mode power consumption) (W)	0,27
Ps (Stand-by power consumption) (W)	0

Integration directive EU 66/2014

f (Factor Increase in the time)	0,9
EEl (Energy efficiency Index)	38,8
QBEP (Maximum airflow point efficiency) (m3/h)	258
PBEP (Maximum pressure point efficiency) (Pa)	284
WBEP (Electrical power consumption at maximum efficiency) (W)	62,6
WL (Rated power lighting system) (W)	5
EMIDDLE (Average illuminance on the cooking surface) (lux)	22,6

External Dimensions

Width (mm)	900
Depth (mm)	400
Maximum Total Height (mm)	1000
Minimum Total Height (mm)	820
Outlet Diameter (mm)	150

Characteristics

Motor Quantity	1
Motor Model	T1DC
Maximum Pressure (Pa)	250
Filter Technology	Aluminium mesh
Control Technology	Electronic Touch Control
Booster	√
Power levels	6
Timer	√
Filter Saturation Indicator	√
Charcoal Filter Change Indicator	√
Dimmer Function	√
Connectivity	√
Remote control	-
Display	Display_grafico

Lighting

Light Model	SSLED
Lightning Technology	LED

Installation

Minimum distance to an electric cooktop (mm)	500
--	-----

Minimum distance to a gas cooktop (mm)	650
Recirculation Option	-
Charcoal Filter	-
Back Draught Shutter	No
Inner shield	-

Electric Connection

Rated voltage (V)	220-240
Rated frequency (Hz)	50/60
Rated power input (W)	110
Protection against electric shock	Class I
Power cord length (m)	1,3
Plug type	No plug

Accessories

Active Charcoal Filter	'02859394
Noiseless Flexible Duct	'02859394
