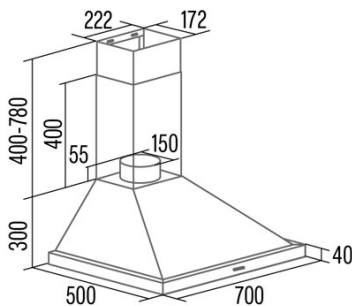




# BETA PRO 7000 X

Cod. 02075417

EAN 8422248371513



## INFORMACIÓN GENERAL

EAN/UPC	8422248371513
Subfamily	Chimney

### Product fiche according to directives EU65/2014 - EN61591, EN60704-2-13, EN50564

AEC (Energy consumption per year) (kWh/año)	64,1
EEl class (Energy efficiency class)	A
FDE (Fluid dynamic efficiency)	29,2
FDE class (Fluid dynamic efficiency class)	A
LE (Light efficiency) (lux/W)	34
LE class (Light efficiency class)	A
GFE (Grease filtering efficiency)	75,5
GFE Class (Grease filtering efficiency class)	C
Normal mode airflow MIN (m3/h)	407
Normal mode airflow MAX (m3/h)	564
Boost mode airflow (m3/h)	971
Normal mode acoustic power MIN (dB)	65
Normal mode acoustic power MAX (dB)	72
Boost mode acoustic power (dB)	75
Po (Off-mode power consumption) (W)	0
Ps (Stand-by power consumption) (W)	0,48

### Integration directive EU 66/2014

f (Factor Increase in the time)	0,9
EEl (Energy efficiency Index)	53,5
QBEP (Maximum airflow point efficiency) (m3/h)	441,8
PBEP (Maximum pressure point efficiency) (Pa)	443
WBEP (Electrical power consumption at maximum efficiency) (W)	186,1
WL (Rated power lighting system) (W)	4,1
EMIDDLE (Average illuminance on the cooking surface) (lux)	139,5

### External Dimensions

Width (mm)	700
Depth (mm)	500
Maximum Total Height (mm)	1080
Minimum Total Height (mm)	700
Outlet Diameter (mm)	150

### Characteristics

Motor Quantity	1
Motor Model	A1000
Maximum Pressure (Pa)	501,17
Filter Technology	Aluminium mesh
Control Tecnology	PANEL ELECTRONICO DISPLAY DIGITAL
Booster	√
Power levels	3
Timer	√
Remote control	-

### Lighting

Light Model	ECOLED
Lightning Technology	LED

### Installation

Minimum distance to an electric cooktop (mm)	550
Minimum distance to a gas cooktop (mm)	650
Charcoal Filter	-
Back Draught Shutter	Included

### Electric Connection

Rated voltage (V)	220-240
Rated frequency (Hz)	50
Rated power input (W)	383
Protection against electric shock	Class I
Power cord length (m)	1,2
Plug type	Type F

---

**Accessories**

Back Draught Shutter	02800706
----------------------	----------

---