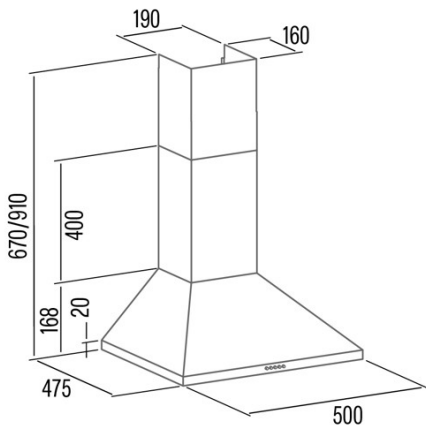




# CAMPANA, VK 5000 X

Cod. **02088307**

EAN **8422248371216**



## INFORMACIÓN GENERAL

EAN/UPC	8422248371216
Subfamily	Angle Glass

### Product fiche according to directives EU65/2014 - EN61591, EN60704-2-13, EN50564

AEC (Energy consumption per year) (kWh/año)	26,2
EEl class (Energy efficiency class)	A
FDE (Fluid dynamic efficiency)	28,4
FDE class (Fluid dynamic efficiency class)	A
LE (Light efficiency) (lux/W)	67
LE class (Light efficiency class)	A
GFE (Grease filtering efficiency)	70,1
GFE Class (Grease filtering efficiency class)	D
Normal mode airflow MIN (m3/h)	174,3
Normal mode airflow MAX (m3/h)	477,3
Normal mode acustic power MIN (dB)	56
Normal mode acustic power MAX (dB)	69
Po (Off-mode power consumption) (W)	0

### Integration directive EU 66/2014

EEl (Energy efficiency Index)	49,2
QBEP (Maximum airflow point efficiency) (m3/h)	258,8
PBEP (Maximum pressure point efficiency) (Pa)	260
WBEP (Electrical power consumption at maximum efficiency) (W)	65,9
WL (Rated power lighting system) (W)	3
EMIDDLE (Average illuminance on the cooking surface) (lux)	200

### External Dimensions

Outlet Diameter (mm)	150
----------------------	-----

### Characteristics

Motor Model	K10 390 A
Control Technology	Mechanical push button
Power levels	3
Filter Saturation Indicator	-

### Lighting

Light Model	SSLED
Lightning Technology	LED

### Electric Connection

Rated voltage (V)	220-240
Rated frequency (Hz)	50/60
Protection against electric shock	Class II
Plug type	No plug