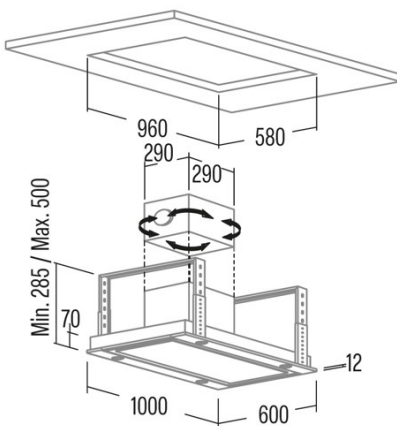
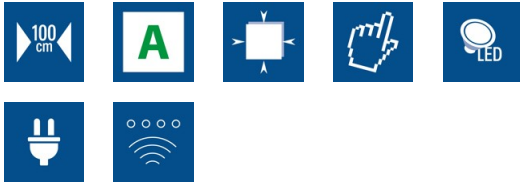




ISLA SIRIN 1000 GWH

Cod. **02111002**

EAN **8422248097437**



INFORMACIÓN GENERAL

| | |
|-----------|---------------|
| EAN/UPC | 8422248097437 |
| Subfamily | Ceiling |

Product fiche according to directives EU65/2014 - EN61591, EN60704-2-13, EN50564

| | |
|---|------|
| AEC (Energy consumption per year) (kWh/año) | 58,9 |
| EEL class (Energy efficiency class) | A |
| FDE (Fluid dynamic efficiency) | 31,5 |
| FDE class (Fluid dynamic efficiency class) | A |
| LE (Light efficiency) (lux/W) | 36,6 |
| LE class (Light efficiency class) | A |
| GFE (Grease filtering efficiency) | 91,2 |
| GFE Class (Grease filtering efficiency class) | B |
| Normal mode airflow MIN (m3/h) | 340 |
| Normal mode airflow MAX (m3/h) | 600 |
| Boost mode airflow (m3/h) | 850 |
| Normal mode acoustic power MIN (dB) | 50 |
| Normal mode acoustic power MAX (dB) | 65 |
| Boost mode acoustic power (dB) | 67 |
| Po (Off-mode power consumption) (W) | 0,3 |
| Ps (Stand-by power consumption) (W) | 0 |

Integration directive EU 66/2014

| | |
|---|-------|
| f (Factor Increase in the time) | 0,9 |
| EEL (Energy efficiency Index) | 54,6 |
| QBEP (Maximum airflow point efficiency) (m3/h) | 350,4 |
| PBEP (Maximum pressure point efficiency) (Pa) | 380 |
| WBEP (Electrical power consumption at maximum efficiency) (W) | 132,8 |
| WL (Rated power lighting system) (W) | 14 |
| EMIDDLE (Average illuminance on the cooking surface) (lux) | 513 |

External Dimensions

| | |
|---------------------------|------|
| Width (mm) | 1000 |
| Depth (mm) | 600 |
| Maximum Total Height (mm) | 500 |
| Minimum Total Height (mm) | 285 |
| Outlet Diameter (mm) | 150 |

Characteristics

| | |
|----------------------------------|--------------------------|
| Motor Quantity | 1 |
| Motor Model | BT3 |
| Maximum Pressure (Pa) | 450 |
| Filter Technology | Aluminium mesh |
| Control Technology | Electronic Touch Control |
| Booster | √ |
| Power levels | 4 |
| Timer | √ |
| Filter Saturation Indicator | √ |
| Charcoal Filter Change Indicator | - |
| Dimmer Function | √ |
| Connectivity | - |
| Remote control | √ |
| Display | Display_grafico |

Lighting

| | |
|----------------------|--------|
| Light Model | ECOLED |
| Lightning Technology | LED |

Installation

| | |
|--|-----|
| Minimum distance to an electric cooktop (mm) | 550 |
|--|-----|

| | |
|--|-----|
| Minimum distance to a gas cooktop (mm) | 660 |
| Recirculation Option | √ |
| Charcoal Filter | - |
| Back Draught Shutter | - |
| Inner shield | - |

Electric Connection

| | |
|-----------------------------------|----------|
| Rated voltage (V) | 220-240 |
| Rated frequency (Hz) | 50 |
| Rated power input (W) | 294 |
| Protection against electric shock | Class II |
| Plug type | Type C |

Accessories

| | |
|---------------------------------|----------|
| Upper Decorative Duct Extension | No |
| White Decorative Duct | No |
| Black Decorative Duct | No |
| Island Tube Enhancer | No |
| Back Draught Shutter | 02832006 |
| MAX PRO Metal Filter | 02800917 |
| Active Charcoal Filter | 02859398 |
| Noiseless Flexible Duct | 02893002 |
| Recirculating kit | No |