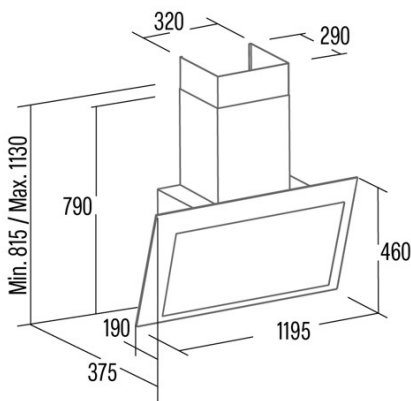
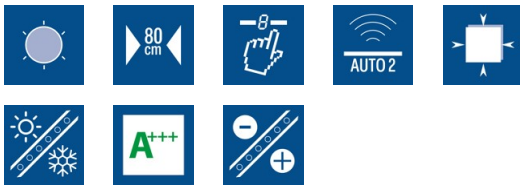




# THALASSA PRO 800 GBK

Cod. **02138407**

EAN **8422248356299**



## INFORMACIÓN GENERAL

|           |               |
|-----------|---------------|
| EAN/UPC   | 8422248356299 |
| Subfamily | Angle Glass   |

### Product fiche according to directives EU65/2014 - EN61591, EN60704-2-13, EN50564

|   |      |
|---|------|
| AEC (Energy consumption per year) (kWh/año)   | 16,8 |
| EEL class (Energy efficiency class)           | A+++ |
| FDE (Fluid dynamic efficiency)                | 40,3 |
| FDE class (Fluid dynamic efficiency class)    | A    |
| LE (Light efficiency) (lux/W)                 | 23,7 |
| LE class (Light efficiency class)             | B    |
| GFE (Grease filtering efficiency)             | 75,5 |
| GFE Class (Grease filtering efficiency class) | C    |
| Normal mode airflow MIN (m3/h)                | 283  |
| Normal mode airflow MAX (m3/h)                | 640  |
| Boost mode airflow (m3/h)                     | 842  |
| Normal mode acoustic power MIN (dB)           | 46   |
| Normal mode acoustic power MAX (dB)           | 64   |
| Boost mode acoustic power (dB)                | 69   |
| Po (Off-mode power consumption) (W)           | 0    |
| Ps (Stand-by power consumption) (W)           | 0,35 |

### Integration directive EU 66/2014

|   |       |
|---|-------|
| f (Factor Increase in the time)                               | 0,5   |
| EEL (Energy efficiency Index)                                 | 27,5  |
| QBEP (Maximum airflow point efficiency) (m3/h)                | 369,6 |
| PBEP (Maximum pressure point efficiency) (Pa)                 | 314   |
| WBEP (Electrical power consumption at maximum efficiency) (W) | 80    |
| WL (Rated power lighting system) (W)                          | 3     |
| EMIDDLE (Average illuminance on the cooking surface) (lux)    | 71    |

### External Dimensions

|                           |      |
|---------------------------|------|
| Width (mm)                | 800  |
| Depth (mm)                | 375  |
| Maximum Total Height (mm) | 1130 |
| Minimum Total Height (mm) | 815  |
| Outlet Diameter (mm)      | 150  |

### Characteristics

|                                  |                          |
|----------------------------------|--------------------------|
| Motor Quantity                   | 1                        |
| Motor Model                      | BT4DC                    |
| Maximum Pressure (Pa)            | 450                      |
| Filter Technology                | Aluminium mesh           |
| Control Technology               | Electronic Touch Control |
| Booster                          | √                        |
| Power levels                     | 6                        |
| Timer                            | √                        |
| Filter Saturation Indicator      | √                        |
| Charcoal Filter Change Indicator | √                        |
| Dimmer Function                  | √                        |
| Connectivity                     | √                        |
| Remote control                   | -                        |
| Display                          | Display                  |

### Lighting

|                     |       |
|---------------------|-------|
| Light Model         | SSLED |
| Lighting Technology | LED   |

### Installation

|  |     |
|--|-----|
| Minimum distance to an electric cooktop (mm) | 450 |
|--|-----|

|  |     |
|--|-----|
| Minimum distance to a gas cooktop (mm) | 650 |
| Recirculation Option                   | √   |
| Charcoal Filter                        | √   |
| Back Draught Shutter                   | No  |
| Inner shield                           | -   |

---

### Electric Connection

|                                   |         |
|-----------------------------------|---------|
| Rated voltage (V)                 | 220-240 |
| Rated frequency (Hz)              | 50/60   |
| Rated power input (W)             | 138     |
| Protection against electric shock | Class I |
| Plug type                         | No plug |

---

### Accessories

|                                 |          |
|---------------------------------|----------|
| Upper Decorative Duct Extension | 02861300 |
| White Decorative Duct           | 02861001 |
| Black Decorative Duct           | 02861401 |
| Back Draught Shutter            | 02832004 |
| Active Charcoal Filter          | 02859318 |
| Noiseless Flexible Duct         | 02893002 |
| Recirculating kit               | 02800013 |

---