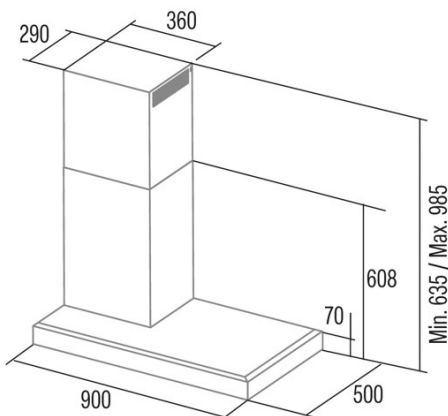




GALA 900 R

Cod. 02166304

EAN 8422248355582



INFORMACIÓN GENERAL

EAN/UPC	8422248355582
Subfamily	Corner

Product fiche according to directives EU65/2014 - EN61591, EN60704-2-13, EN50564

AEC (Energy consumption per year) (kWh/año)	53,6
EEl class (Energy efficiency class)	A
FDE (Fluid dynamic efficiency)	30,7
FDE class (Fluid dynamic efficiency class)	A
LE (Light efficiency) (lux/W)	23,1
LE class (Light efficiency class)	B
GFE (Grease filtering efficiency)	91,2
GFE Class (Grease filtering efficiency class)	B
Normal mode airflow MIN (m3/h)	340
Normal mode airflow MAX (m3/h)	600
Boost mode airflow (m3/h)	802
Normal mode acoustic power MIN (dB)	50
Normal mode acoustic power MAX (dB)	65
Boost mode acoustic power (dB)	67
Po (Off-mode power consumption) (W)	0,48
Ps (Stand-by power consumption) (W)	0,48

Integration directive EU 66/2014

f (Factor Increase in the time)	0,9
EEl (Energy efficiency Index)	52,1
QBEP (Maximum airflow point efficiency) (m3/h)	443,1
PBEP (Maximum pressure point efficiency) (Pa)	427,1
WBEP (Electrical power consumption at maximum efficiency) (W)	171
WL (Rated power lighting system) (W)	3
EMIDDLE (Average illuminance on the cooking surface) (lux)	69

External Dimensions

Width (mm)	900
Depth (mm)	500
Maximum Total Height (mm)	985
Minimum Total Height (mm)	635
Outlet Diameter (mm)	150, 125

Characteristics

Motor Quantity	1
Motor Model	BT3
Maximum Pressure (Pa)	470
Control Technology	Mechanical push button
Booster	√
Power levels	4
Timer	√
Filter Saturation Indicator	√
Charcoal Filter Change Indicator	√
Dimmer Function	√
Connectivity	No
Remote control	-

Lighting

Light Model	SSLED
Lightning Technology	LED

Installation

Minimum distance to an electric cooktop (mm)	550
Minimum distance to a gas cooktop (mm)	650
Recirculation Option	√

Charcoal Filter	√
Back Draught Shutter	No
Inner shield	-

Electric Connection

Rated voltage (V)	220-240
Rated frequency (Hz)	50
Rated power input (W)	285
Protection against electric shock	Class II

Accessories

MAX PRO Metal Filter	02800917
Active Charcoal Filter	02859392
Noiseless Flexible Duct	02893002
