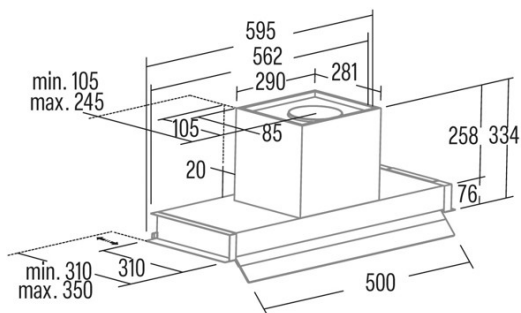




CORONA 60 BK

Cod. **02186400**

EAN **8422248198257**



INFORMACIÓN GENERAL

| | |
|-----------|---------------|
| EAN/UPC | 8422248198257 |
| Subfamily | Integrated |

Product fiche according to directives EU65/2014 - EN61591, EN60704-2-13, EN50564

| | |
|---|-------|
| AEC (Energy consumption per year) (kWh/año) | 53,9 |
| EEL class (Energy efficiency class) | A |
| FDE (Fluid dynamic efficiency) | 30,6 |
| FDE class (Fluid dynamic efficiency class) | A |
| LE (Light efficiency) (lux/W) | 55,7 |
| LE class (Light efficiency class) | A |
| GFE (Grease filtering efficiency) | 84,27 |
| GFE Class (Grease filtering efficiency class) | C |
| Normal mode airflow MIN (m3/h) | 340 |
| Normal mode airflow MAX (m3/h) | 600 |
| Boost mode airflow (m3/h) | 850 |
| Normal mode acoustic power MIN (dB) | 50 |
| Normal mode acoustic power MAX (dB) | 65 |
| Boost mode acoustic power (dB) | 67 |
| Po (Off-mode power consumption) (W) | 0,45 |
| Ps (Stand-by power consumption) (W) | 0 |

Integration directive EU 66/2014

| | |
|---|-------|
| f (Factor Increase in the time) | 0,9 |
| QBEP (Maximum airflow point efficiency) (m3/h) | 416,9 |
| PBEP (Maximum pressure point efficiency) (Pa) | 411 |
| WBEP (Electrical power consumption at maximum efficiency) (W) | 155,7 |
| WL (Rated power lighting system) (W) | 3,5 |
| EMIDDLE (Average illuminance on the cooking surface) (lux) | 195 |

External Dimensions

| | |
|---------------------------|----------|
| Width (mm) | 695 |
| Depth (mm) | 310 |
| Maximum Total Height (mm) | 334 |
| Minimum Total Height (mm) | 334 |
| Outlet Diameter (mm) | 150, 125 |

Characteristics

| | |
|----------------------------------|------------------------|
| Motor Quantity | 1 |
| Motor Model | BT3 |
| Maximum Pressure (Pa) | 470 |
| Filter Technology | Aluminium mesh |
| Control Technology | Mechanical push button |
| Booster | √ |
| Power levels | 4 |
| Timer | √ |
| Filter Saturation Indicator | - |
| Charcoal Filter Change Indicator | - |
| Dimmer Function | - |
| Connectivity | No |
| Remote control | - |
| Display | - |

Lighting

| | |
|---------------------|---------------|
| Light Model | SSLED BICOLOR |
| Lighting Technology | LED |

Installation

| | |
|--|-----|
| Minimum distance to an electric cooktop (mm) | 550 |
| Minimum distance to a gas cooktop (mm) | 650 |

| | |
|----------------------|----|
| Recirculation Option | - |
| Charcoal Filter | √ |
| Back Draught Shutter | No |
| Inner shield | - |

Electric Connection

| | |
|-----------------------------------|----------|
| Rated voltage (V) | 220-240 |
| Rated frequency (Hz) | 50 |
| Rated power input (W) | 283,5 |
| Protection against electric shock | Class II |

Accessories

| | |
|---------------------------------|----------|
| Upper Decorative Duct Extension | 02861306 |
| Active Charcoal Filter | 02859398 |
| Noiseless Flexible Duct | 02893002 |
