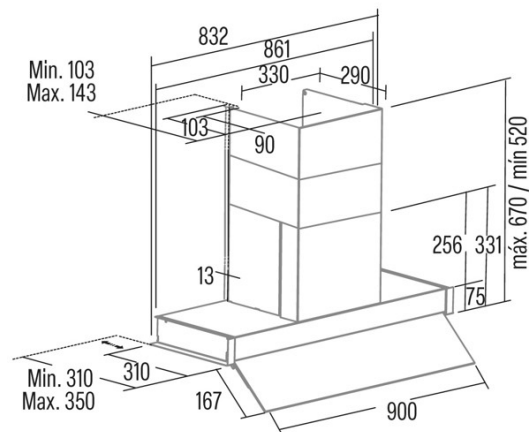




RENOVA PURE AIR MNV90 GWH

Cod. **02189020**

EAN **8422248344692**



INFORMACIÓN GENERAL

| | |
|-----------|---------------|
| EAN/UPC | 8422248344692 |
| Subfamily | Integrated |

External Dimensions

| | |
|---------------------------|-----|
| Width (mm) | 900 |
| Depth (mm) | 350 |
| Maximum Total Height (mm) | 331 |
| Minimum Total Height (mm) | 331 |

Characteristics

| | |
|----------------------------------|----------------|
| Motor Quantity | 1 |
| Motor Model | BT4DC |
| Maximum Pressure (Pa) | 357 |
| Filter Technology | Aluminium mesh |
| Control Technology | TFT |
| Booster | √ |
| Power levels | 6 |
| Timer | √ |
| Filter Saturation Indicator | √ |
| Charcoal Filter Change Indicator | √ |
| Dimmer Function | √ |
| Connectivity | √ |
| Remote control | - |
| Display | Display |

Lighting

| | |
|----------------------|---------------|
| Light Model | SSLED BICOLOR |
| Lightning Technology | LED |

Installation

| | |
|--|-----|
| Minimum distance to an electric cooktop (mm) | 550 |
| Minimum distance to a gas cooktop (mm) | 650 |
| Recirculation Option | √ |
| Charcoal Filter | √ |

Electric Connection

| | |
|-----------------------------------|---------|
| Rated voltage (V) | 220-240 |
| Rated frequency (Hz) | 50 |
| Rated power input (W) | 158 |
| Protection against electric shock | Class I |
| Plug type | Type A |