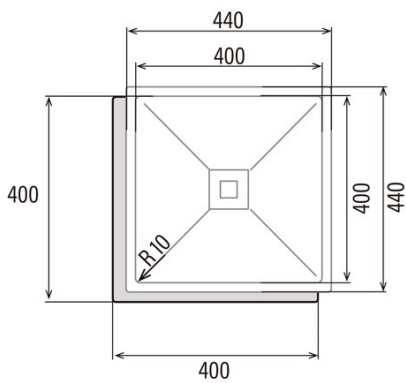


CB 40-40 R10

Cod. **02624016**

EAN **8422248108638**



INFORMACIÓN GENERAL

EAN/UPC	8422248108638
Subfamily	Undermount

Features

Material	Stainless Steel 304
Steel thickness	12
Colour	Stainless Steel 304
Bowl quantity	1
Bowl shape	Square
Bowl depth (mm)	200
Draining rack	No
Draining rack shape	Square
Draining rack position	N/A

Installation

Overflow tube	√
Standard cabinet width (mm)	500
Width (mm)	440
Depth (mm)	440
Minimum Cabinet Width (mm)	500