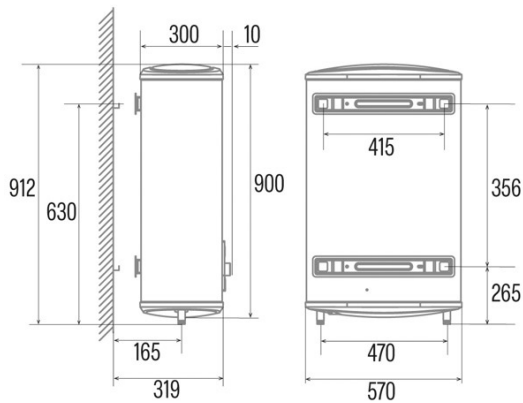




CTRS-80 REV SLIM

Cod. 03112001

EAN 8422248081474



INFORMACIÓN GENERAL

EAN/UPC	8422248081474
Subfamily	Electric

Product fiche according to EU Regulation nº 812/2012

Declared Load Profile	M
Water Heating Energy Class	B
Water Heating Energy Efficiency (%)	39
Annual electricity consumption (kWh/year)	1316
Thermostat temperature settings	75

Features

Capacity (L)	74
Number of persons	2-4
Installation	Vertical/Horizontal
Minimum set temperature	30
Maximum set temperature	75
Type of heating element	Enamel
Heating time 15°C-65°C (min)	139,8
Static losses 65°C (kWh/24h)	2,11
Coating thickness (mm)	5

Controls

Type of control	Electronic
Control position	Front
Electrical connection indicator	√
Temperature indicator	√
Heating indicator	√

Safety

Overheating protection	√
Safety temperature (°C)	101
Freezing protection	√
Water protection index	IPX4
Maximum Working Pressure (Mpa)	0,75
Magnesium Anode Dimensions (mm)	D22x296

Power connection

Rated voltage (V)	220-240
Rated frequency (Hz)	50/60
Rated power input (W)	2000
Protection against electric shock	Class I
Power cord length (m)	1,5
Plug type	Type F

Installation

Width (mm)	570
Height (mm)	900
Depth (mm)	300