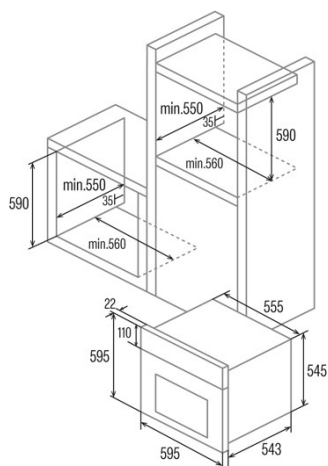




## MDS 8008 WH

Cod. 07001010

EAN 8422248347679



### INFORMACIÓN GENERAL

EAN/UPC	8422248347679
Subfamily	Multifunction

### Product fiche

Energy efficiency index (IEE)	117
Energy efficiency Class	A
Energy consumption in conventional mode [kWh/cycle]	0,85
Energy consumption in fan-forced mode [kWh/cycle]	0,84
Heat source	Electricity
Mass of the appliance [Kg]	30,8
Number of cavities	1
Cavity volume (L)	80

### Dimensions

Width (mm)	556
Height (mm)	545
Depth (mm)	550

### Controls

Control type	Mechanical
Display	WHITE
Number of functions	8

Functions	Top_and_bottom_heating_with_fan;Top and bottom heating;Turbo heating;Defrosting;Bottom heating;Grill and fan;Top and bottom heating with fan;Bottom heating;Grill;Turbo heating;Top and bottom heating;3D cooking;Grill and fan;3D cooking;Defrosting;Grill
Timer	Electronic
On/Off indicator	√
Minimum temperature [°C]	40
Maximum temperature [°C]	240

### Characteristics

Cleaning	Aquasmart
Enamel	Black
Removable inner glass	√
Light type	LED
Number of light bulbs	15
Light bulb power [W]	1
Number of door glasses	2
Door manual lock	√
Soft close	-
Cavity type	Flat
Side Racks	√
Levels	5
Telescopic guides	1
Convection fan	√

### Security

Cooling fan	√
-------------	---

### Electrical connection

Upper heating element power [W]	900
Rated voltage (V)	220-240
Rated frequency (Hz)	50/60
Power cord length (m)	1,5

### Accessories

Flat tray	√
-----------	---

Deep Tray	√
Steam tray	√
Grill	√