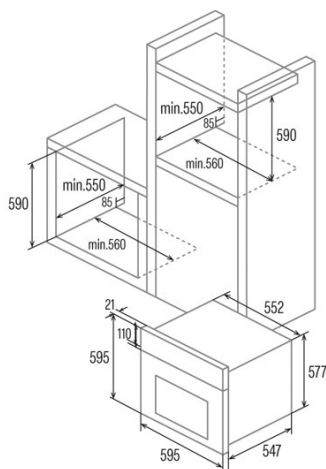
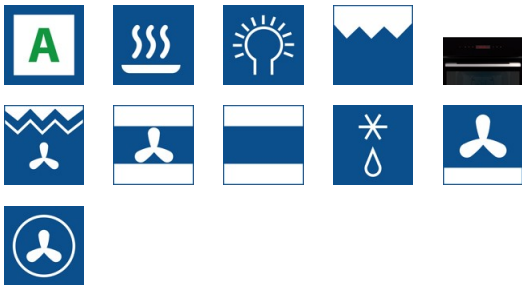




MT 8012 BK

Cod. 07002411

EAN 8422248094009



INFORMACIÓN GENERAL

EAN/UPC	8422248094009
Subfamily	Multifunction

Product fiche

Energy efficiency index (IEE)	2
Energy consumption in conventional mode [kWh/cycle]	-
Energy consumption in fan-forced mode [kWh/cycle]	0,81
Heat source	Electricity
Mass of the appliance [Kg]	,5
Number of cavities	1
Cavity volume (L)	72

Dimensions

Width (mm)	595
Height (mm)	595
Depth (mm)	568
Built-in width (mm)	560
Built-in height (mm)	660

Controls

Display	LCD
Number of functions	12
On/Off indicator	√
Minimum temperature [°C]	50
Thermal probe	-

Characteristics

Enamel	Black
Removable inner glass	108
Number of light bulbs	-
Light bulb power [W]	1
Number of door glasses	3
Door manual lock	-
Soft close	580
Cavity type	Flat
Side Racks	√
Levels	5
Telescopic guides	1
Convection fan	√

Security

Cooling fan	√
Overheating protection	√
Automatic safety shutdown	√
Pyrolysis door lock	-

Electrical connection

Upper heating element power [W]	900
Lower heating element power [W]	220-240
Turbo heating element power [W]	Light;Grill;Bottom heating;Top and bottom heating
Rated voltage (V)	29
Rated frequency (Hz)	50/60
Rated power input (W)	2380
Protection against electric shock	Class I
Power cord length (m)	1

Accessories

Flat tray	50/60
Deep Tray	√
Steam tray	-

Grill	√
Inner grill	-
Telescopic guides	1350 + 900
Tray Handle	-
Removable tank	-
Roast kit	-