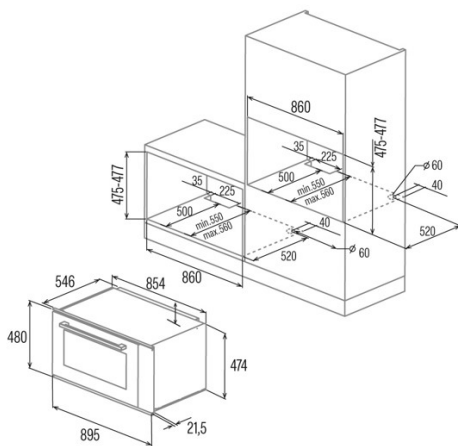
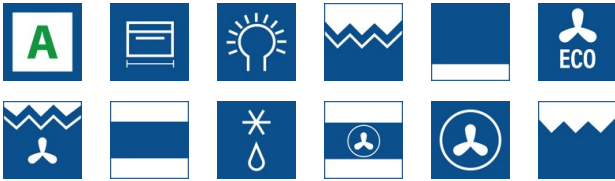




CMD 9208 BK

Cod. 07039305

EAN 8422248093156



INFORMACIÓN GENERAL

EAN/UPC	8422248093156
Subfamily	Multifunction

Product fiche

Energy efficiency index (IEE)	94
Energy efficiency Class	A
Energy consumption in conventional mode [kWh/cycle]	1,15
Energy consumption in fan-forced mode [kWh/cycle]	0,9
Heat source	Electricity
Mass of the appliance [Kg]	47,4
Number of cavities	1
Cavity volume (L)	93

Dimensions

Width (mm)	895
Height (mm)	480
Depth (mm)	546
Built-in width (mm)	860
Built-in height (mm)	475
Built-in depth (mm)	550

Controls

Control type	Touch control
Display	LCD
Number of functions	10
Functions	Double_grill_with_fan;Defrosting;Grill;D Grill;Turbo heating;Eco;Light;3D cooking;Top and bottom heating;Bottom heating
Timer	Electronic
On/Off indicator	√
Thermostat indicator	√
Minimum temperature [°C]	50
Maximum temperature [°C]	250
Thermal probe	-

Characteristics

Cleaning	No
Enamel	Black
Drop down grill	-
Removable inner glass	√
Number of light bulbs	50
Light bulb power [W]	2
Number of door glasses	3
Door manual lock	-
Soft close	-
Cavity type	Flat
Side Racks	√
Levels	5
Telescopic guides	No
Convection fan	√

Security

Cooling fan	√
Overheating protection	√
Automatic safety shutdown	√
Pyrolysis door lock	-
Pyrolysis lock indicator	-

Electrical connection

Upper heating element power [W]	900
Lower heating element power [W]	1500
Turbo heating element power [W]	2500

Rated voltage (V)	220-240
Rated frequency (Hz)	50/60
Rated power input (W)	2800
Protection against electric shock	Class I
Power cord length (m)	1
Plug type	No plug

Accessories

Flat tray	-
Deep Tray	√
Steam tray	-
Grill	√
Inner grill	-
Telescopic guides	-
Tray Handle	-
Removable tank	-
Pizza Stone	-
Roast kit	-
