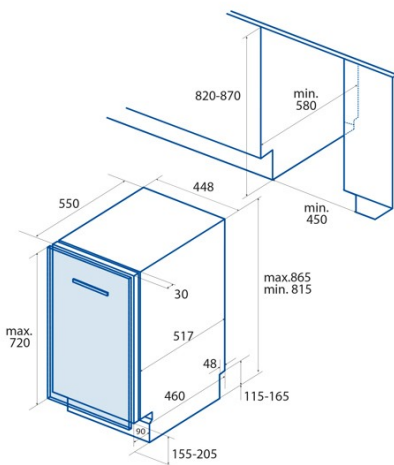




# LVI 46009

Cod. 07200008

EAN 8422248096843



## INFORMACIÓN GENERAL

EAN/UPC	8422248096843
Subfamily	Built-in

### Power connection

Rated voltage (V)	220-240
Rated frequency (Hz)	50
Rated power input (W)	2100
Protection against electric shock	Class I
Power cord length (m)	1,5
Plug type	Type F

### Product fiche according to EU Regulation 2019/2022 - 2019/2017

Standard place settings	10
Energy efficiency class	E
Power consumption of off-mode [W]	0,49
Noise level [dBA]	49
Installation Type	Built-in

### Control panel

Type of Control	Soft Touch Buttons
Display	LED
Salt control indicator	√
Rinse aid control indicator	√
Delay Start	3-6-9-12h
Remaining Time Indicator	-
Start/Pause	-

### Programs and functions

Number of programs	5
Program 1 - Name	Intensive
Program 1 - Temperature (°C)	60
Program 1 - Duration (min)	205
Program 2 - Name	Normal
Program 2 - Temperature (°C)	55
Program 2 - Duration (min)	175
Program 3 - Name	Eco
Program 3 - Temperature (°C)	45
Program 3 - Duration (min)	235
Program 4 - Name	Express 90'
Program 4 - Temperature (°C)	65
Program 4 - Duration (min)	90
Program 5 - Name	Quick 30'
Program 5 - Temperature (°C)	45
Program 5 - Duration (min)	30
Program 6 - Name	N/A
Program 7 - Name	N/A
Program 8 - Name	N/A
Program 9 - Name	N/A
Program 10 - Name	N/A
Program 11 - Name	N/A
Program 12 - Name	N/A

### Power and water connection

Rated voltage (V)	220-240
Rated frequency (Hz)	50
Rated power input (W)	2100
Protection against electric shock	Class I
Power cord length (m)	1,5
Plug type	Type F
Inlet Water Hose Length (m)	1500
Drain Water Hose Length (m)	1600

## Installation

Width (mm)	448
Height Min (mm)	815
Height Max (mm)	865
Depth (mm)	550
Adjustable height	√
Built-in width (mm)	450
Built-in height (mm)	820
Built-in depth (mm)	580
Maximum Door height (mm)	720
Sliding Door	-