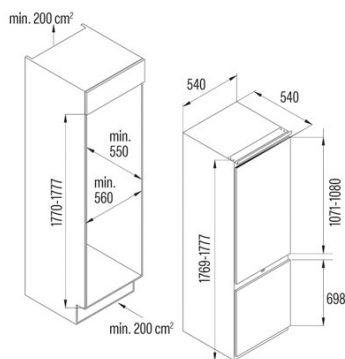




## CATA CI-54177 ST

Cod. 07800078

EAN 8422248350945



### INFORMACIÓN GENERAL

EAN/UPC	8422248350945
Subfamily	Combi

### Product fiche according to EU Regulation 2019/2016

Category	7
Energy efficiency class	E
Energy consumption [kWh/year]	216
Refrigerator storage volume [l]	179
Freezer storage volume [l]	70
Star rating	4
Frost-free fridge	-
Frost-free freezer	-
Power cut safe [h]	10
Freezing capacity [kg/24h]	3,2
Climate class	N/ST
Noise emissions [dBA]	39
Installation Type	Built-In

### Refrigerator equipment

Number of door balconies	3
Number of glass shelves	3
Wine rack	-
Drawer for fruits and vegetables	1
Chiller for meat and fish	0
Metallic inner decoration	-
Number of egg tray	1
Egg Capacity	1-6

### Freezer equipment

Number of drawers	3
Ice trays	1
Ice cube capacity	1-12

### Illumination

Refrigerator Light	√
Freezer Light	-
LED light	√

### Power and water connection

Rated voltage (V)	220-240
Rated frequency (Hz)	50
Rated power input (W)	115
Protection against electric shock	Class I
Power cord length (m)	1600
Plug type	Type F

### Control

Type of Control	Electronic
Display	No
Cooling System	Static
Refrigerator electronic temperature regulation	√
Freezer electronic temperature regulation	-
Super cooling Function	√
Super freezing Function	√
Holidays Function	-
Winter-Summer Function	-

### Installation

Width (mm)	540
Height (mm)	1777
Depth (mm)	540

Reversible doors	√
Wheels	-
Door Opening Side	Left