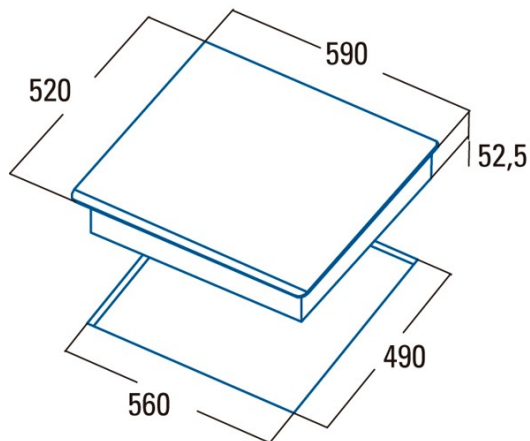




INSB 6004 BK

Cod. **08040406**

EAN **8422248079594**



INFORMACIÓN GENERAL

EAN/UPC	8422248079594
Subfamily	Induction

Product fiche

Number of cooking zones	4
Zone 1: Technology	Induction
Zone 1: Zone type	Simple
Zone 1: Position	Front Left
Zone 1: Diameter of the zone (mm)	21
Zone 1: Power (kW)	2,3
Zone 1: Booster (kW)	2,6
Zone 1: Consumption (Wh / kg)	182,9
Zone 1B: Diameter of the zone (mm)	N/A
Zone 1C: Diameter of the zone (mm)	N/A
Zone 2: Technology	Induction
Zone 2: Zone type	Simple
Zone 2: Position	Rear Left
Zone 2: Diameter of the zone (mm)	16
Zone 2: Power (kW)	1,2
Zone 2: Booster (kW)	1,5
Zone 2: Consumption (Wh / kg)	182,8
Zone 2B: Diameter of the zone (mm)	N/A
Zone 2C: Diameter of the zone (mm)	N/A
Zone 3: Technology	Induction
Zone 3: Zone type	Simple
Zone 3: Position	Rear Right
Zone 3: Diameter of the zone (mm)	18
Zone 3: Power (kW)	1,8
Zone 3: Booster (kW)	2,3
Zone 3: Consumption (Wh / kg)	179,2
Zone 3B: Diameter of the zone (mm)	N/A
Zone 3C: Diameter of the zone (mm)	N/A
Zone 4: Technology	Induction
Zone 4: Zone type	Simple
Zone 4: Position	Front Right
Zone 4: Diameter of the zone (mm)	16
Zone 4: Power (kW)	1,2
Zone 4: Booster (kW)	1,5
Zone 4: Consumption (Wh / kg)	179,5
Zone 4B: Diameter of the zone (mm)	N/A
Zone 4C: Diameter of the zone (mm)	N/A
Zone 5: Technology	N/A
Zone 5: Zone type	N/A
Zone 5: Position	N/A
Zone 5: Diameter of the zone (mm)	N/A
Zone 5B: Diameter of the zone (mm)	N/A
Zone 5C: Diameter of the zone (mm)	N/A
Zone 6: Technology	N/A
Zone 6: Zone type	N/A
Zone 6: Position	N/A
Zone 6: Diameter of the zone (mm)	N/A
Zone 6B: Diameter of the zone (mm)	N/A
Zone 6C: Diameter of the zone (mm)	N/A

Dimensions

Width (mm)	590
Height (mm)	58
Depth (mm)	520
Built-in width (mm)	565
Built-in height (mm)	54
Built-in depth (mm)	495

Finishing

Material	Glass
Bevel	Front
Frame	No
Cooking supports	N/A

Control

Control type	Slider Touch Control
Control Position	Front Centre
Independent control by zone	√
Hidden control	-
Power levels	9 + Booster
Knob type	N/A
Cooking time programming	√
Countdown alarm	√
Power management	-
Available Power Limits (kW)	2,8/3,5
Connectivity	Pro
Auto Ignition	N/A

Security

Security lock	√
Child lock	Yes (Key)
Residual heat indicator	√
Automatic detection of cookware	√
Intelligent detection of cookware	-
Automatic safety shutdown	√
Liquid spill protection	√
Safety Valve	-

Electrical connection

Rated voltage (V)	220-240
Rated frequency (Hz)	50/60
Rated power input (W)	7,2
Multi Phase Connection Option	2 phases
Protection against electric shock	Class I
Power cord length (m)	1
Plug type	No plug

Accessories

Barbecue grill	No
----------------	----